

Custom & Production Machining by Adaptall Manufacturing

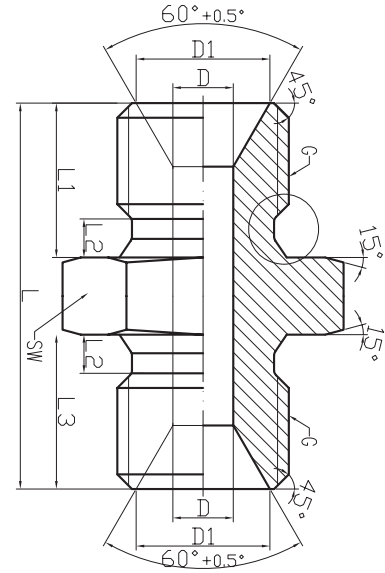
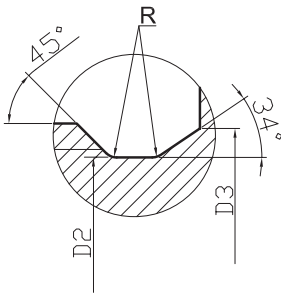
Superb quality...

Quick lead times...

Excellent pricing...

No tooling charges...

Trusted Engineering...



Our Engineering Manager, Leo Nike, is offering his expertise to produce world class quality fittings and production machined parts, just for you. His 30+ years of experience is yours for the asking, just let us know the concept of what your customer requires and we will make it for you. No need to provide technical drawings, our Engineering Manager can design it for you from scratch. Once you approve the drawing, we will proceed with production of your parts quickly and with complete attention to detail. We are very flexible on run sizes, accommodating requests anywhere from 50 pieces to 5,000. Our specialty is international threads but if you have a unique application for a North American threaded part, please do not hesitate to challenge us. In fact, if your required part has no threads at all, we would still be delighted to quote you our best possible price.

Give us a call, it will be our pleasure to help you.

Your friends at Adaptall

