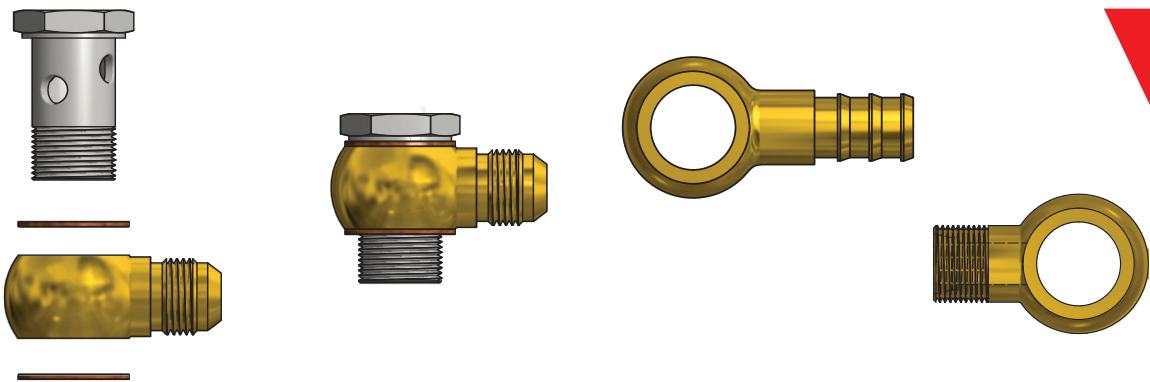


adaptall

INTERNATIONAL ADAPTER & FITTING SOLUTIONS



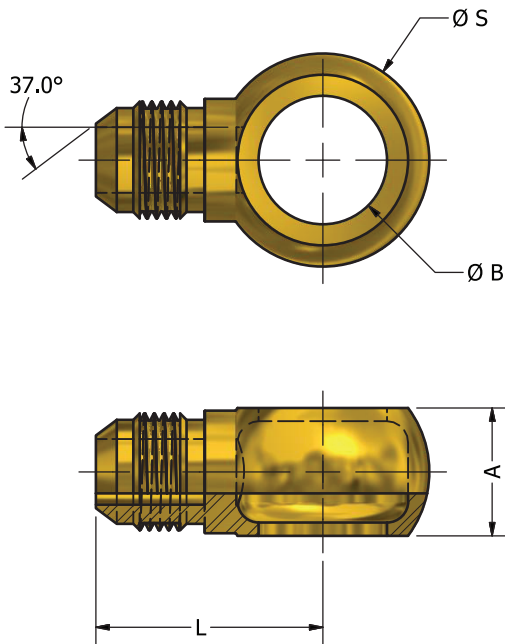
2016

BANJO ADAPTERS

JIC, BSPP, DIN TUBE, HOSE-BARB, & METRIC

3059

MALE JIC X BSP BANJO



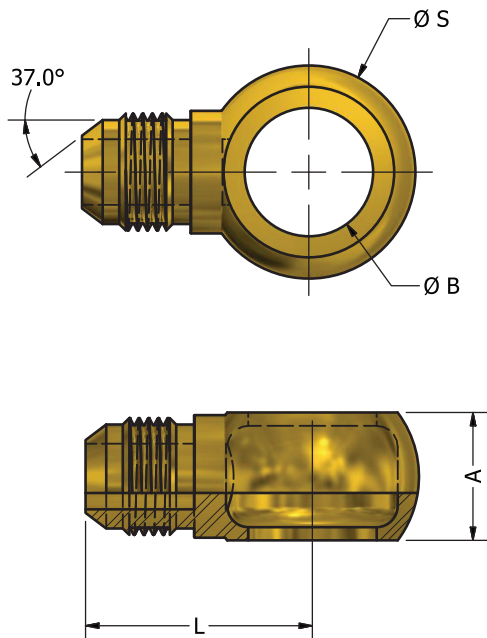
SIZE	MJIC	A	B	L	S
04-02	7/16-20	10	1/8	25	17
04-04	7/16-20	14	1/4	28	24
05-04	1/2-20	14	1/4	28	24
06-04	9/16-18	15	1/4	28	24
06-06	9/16-18	18	3/8	30	28
08-08	3/4-16	22	1/2	36	35
10-08	7/8-14	22	1/2	38	35
10-12	7/8-14	29	3/4	42	45
12-12	1 -1/16-12	29	3/4	49	45
12-16	1 -1/16-12	37	1	51	60

NOTE:

'B' dimension means receives this size bolt

3069

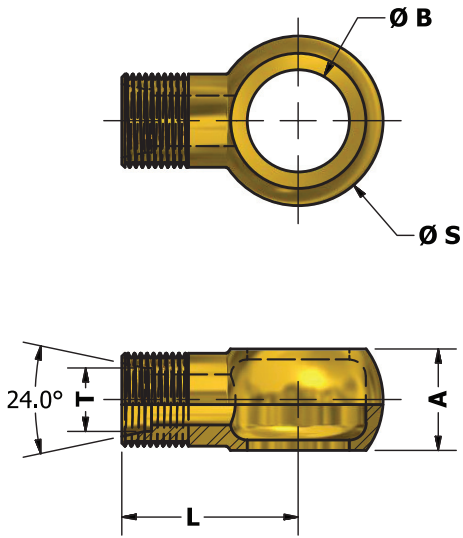
MALE JIC X METRIC BANJO



SIZE	MJIC	A	B	L	S
04-08	7/16-20	9	8	25	17
04-10	7/16-20	10	10	25	17
04-12	7/16-20	12	12	26	20
06-14	9/16-18	15	14	28	24
06-16	9/16-18	16	16	33	28
08-18	3/4-16	20	18	37	32
08-20	3/4-16	22	20	35	35
10-22	7/8-14	22	22	38	35
10-24	7/8-14	25	24	45	42
12-26	1 -1/16-12	29	26	48	45

NOTE:

'B' dimension means receives this size bolt



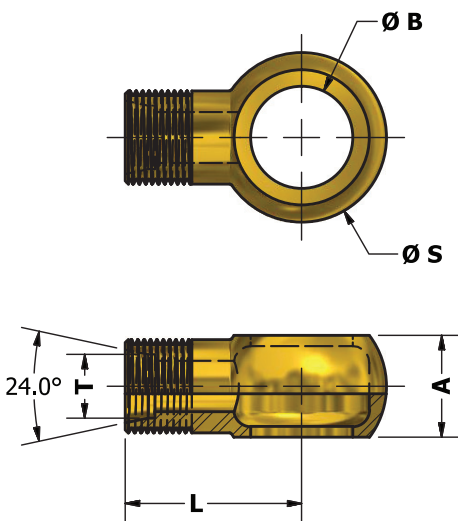
3069L

MALE DIN (LIGHT SERIES) X METRIC BANJO

SIZE	MDIN	TUBE T	A	B	S	L
12-12	12 X 1.5	6	12	12	20	24
14-14	14 X 1.5	8	14	14	24	25
16-16	16 X 1.5	10	18	16	28	28
18-18	18 X 1.5	12	20	18	32	32.5
20-20	20 X 1.5	12	22	20	35	31
22-22	22 X 1.5	15	22	22	35	40
26-26	26 X 1.5	18	29	26	45	40.5

NOTE:

'B' dimension means receives this size bolt



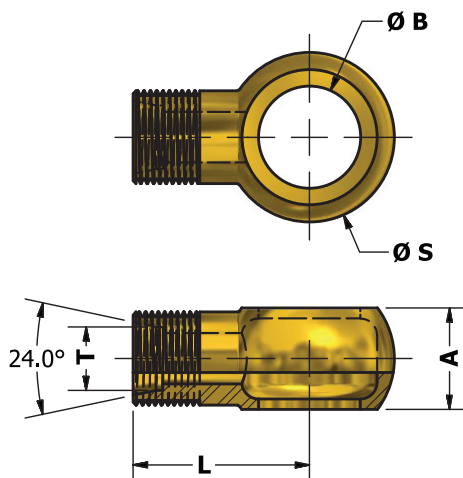
3069LL

MALE DIN (EXTRA LIGHT SERIES) X METRIC BANJO

SIZE	MDIN	TUBE T	A	B	S	L
10-10	10 X 1.0	6	10	10	17	24.5

NOTE:

'B' dimension means receives this size bolt



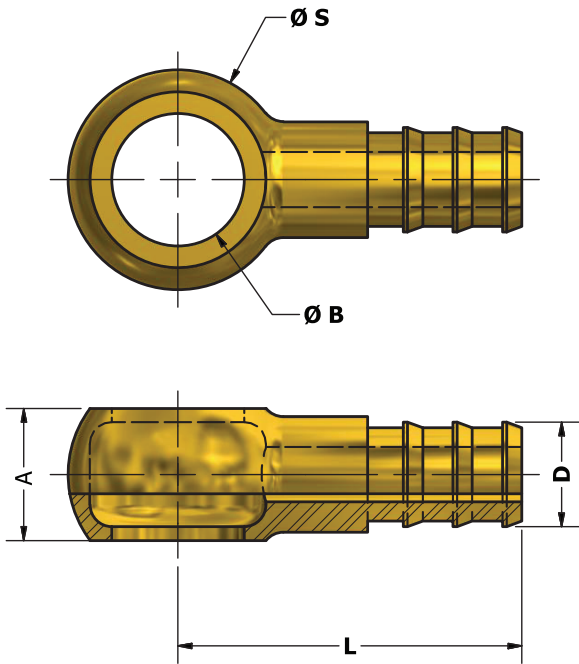
3069S

MALE DIN (HEAVY SERIES) X METRIC BANJO

SIZE	MDIN	TUBE T	A	B	S	L
20-20	20 X 1.5	12	22	20	35	31
24-24	24 X 1.5	16	25	24	38	33

NOTE:

'B' dimension means receives this size bolt



3059HB

HOSE-BARB X BSP BANJO

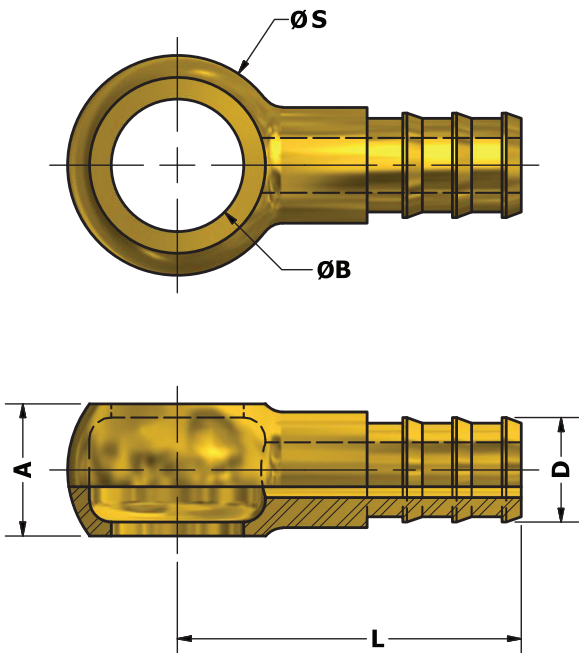
LOW PRESSURE

SIZE	B	D	A	L	S
04-04	1/4	1/4*	14	38	24
06-06	3/8	3/8	18	42	28
08-08	1/2	1/2	22	45	35

NOTE:

'B' dimension means receives this size bolt.

* hose-barb may differ from pictoral representation.



3069HB

HOSE-BARB X METRIC BANJO

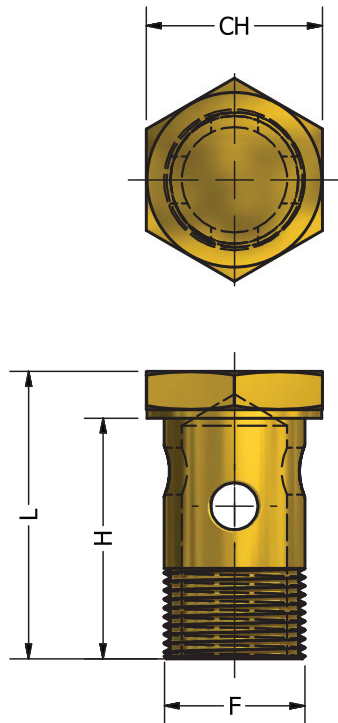
LOW PRESSURE

SIZE	B	D	A	L	S
04-08	8	1/4*	8	33.5	14
04-10	10	1/4*	10	36	17
06-10	10	3/8	10	36	17
06-12	12	3/8	12	37	20
06-14	14	3/8	14	38	24
08-12	12	1/2	12	37	20
08-14	14	1/2	14	38	24
08-16	16	1/2	18	42	28
12-18	18	3/4	20	55	32

NOTE:

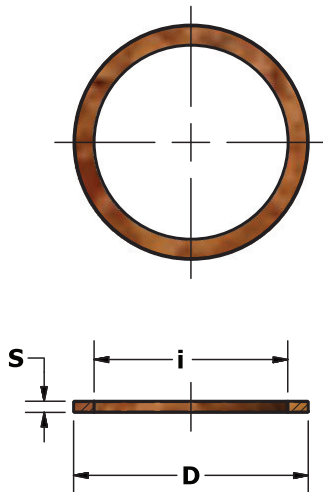
'B' dimension means receives this size bolt.

* hose-barb may differ from pictoral representation.



3002 BSP BANJO BOLT

SIZE	BSP F	L	H	CH
02	G 1/8-28	24	19	14
04	G 1/4-19	32	25	19
06	G 3/8-19	38	31	22
08	G 1/2-14	46	38	27
10	G 5/8-14	49	41	30
12	G 3/4-14	56	46	32
16	G 1-11	69	58	41



3500 BSP SEALING WASHER (COPPER)

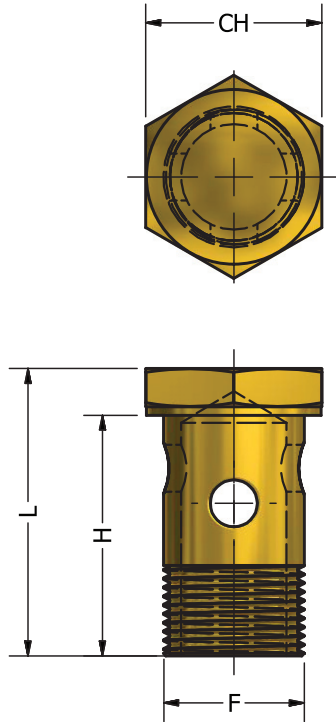
PART NUMBER	BSP I	D	S
3500-02	1/8	14	1.4
3500-04	1/4	19	1.4
3500-06	3/8	22	1.4
3500-08	1/2	27	1.4
3500-10	5/8	30	1.4
3500-12	3/4	32	1.4
3500-16	1	40	1.4

NOTE:

'i' ID DESIGNATION MEANS IT FITS THIS SIZE THREAD

3068

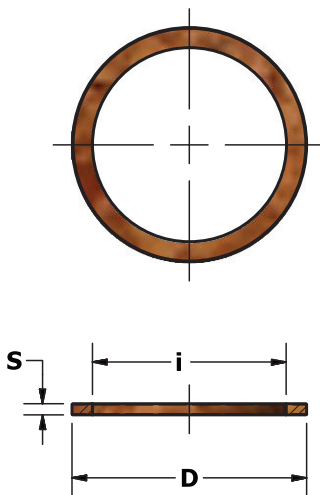
METRIC BANJO BOLT



SIZE	METRIC F	L	H	CH
08-1	8 x 1.0	21	16	12
08-125	8 x 1.25	21	16	12
10-1	10 x 1.0	24	19	14
10-125	10 x 1.25	24	19	14
10-150	10 x 1.5	24	19	14
12-1	12 x 1.0	28	23	17
12-125	12 x 1.25	28	23	17
12-150	12 x 1.5	28	23	17
14-150	14 x 1.5	32	25	19
16-150	16 x 1.5	37	31	22
18-150	18 x 1.5	44	36	24
20-150	20 x 1.5	46	38	27
22-150	22 x 1.5	46	38	27
24-150	24 x 1.5	49	41	30
26-150	26 x 1.5	56	46	32

3500MM

METRIC SEALING WASHER (COPPER)

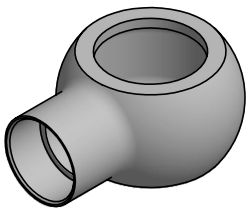


PART NUMBER	METRIC i	D	S	
3500-08MM	08	12	1.4	
3500-10MM	10	14	1.4	
3500-12MM	12	16	1.4	
3500-14MM	14	20	1.4	
3500-16MM	16	22	1.4	
3500-18MM	18	24	1.4	
3500-20MM	20	26	1.4	
3500-22MM	22	28	1.4	
3500-24MM	24	30	1.4	
3500-26MM	26	32	1.4	

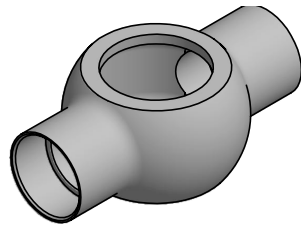
NOTE:

'i' ID DESIGNATION MEANS IT FITS THIS SIZE THREAD

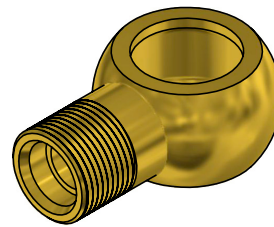
MANY OTHER BANJO STYLES ARE AVAILABLE UPON REQUEST, SUCH AS:



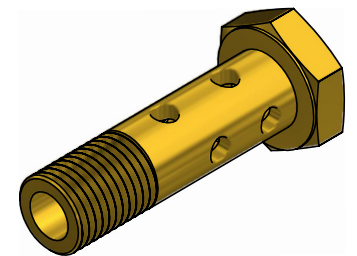
BRAZE



STRAIGHT THROUGH BRAZE



MALE BSPP



BSPP & METRIC DOUBLE
BANJO BOLT

SUPERIOR PRODUCT FROM ADAPTALL

Adaptall strives to provide superior customer service and technical support to match the high quality product offering. Our expertise and experience with International threads and fittings makes us the ideal choice for your Banjo fitting needs.

Custom fitting design and manufacturing is also available from Adaptall. Fully 'Buy America' compliant, we can make fittings with any thread combination in steel, stainless steel, brass, aluminum, copper and more.

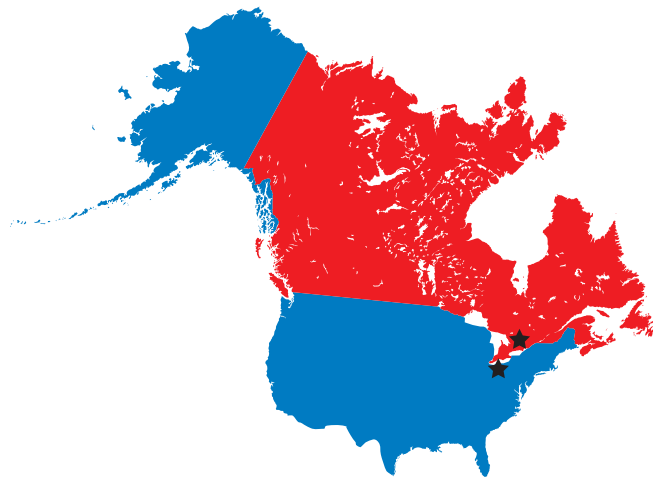
MATERIAL SPECIFICATIONS

- Plating/surface finish adheres to ASTM B633
- Fittings material: carbon steel (bar stock for bolts and fittings)
- Washer material: Copper
- Torque settings, thread and fitting standards available upon request.

NOTES:

P. (800) 463-8134
F. (800) 994-5699

SALES@ADAPTALL.COM
WWW.ADAPTALL.COM



9047 DUTTON DRIVE
TWINSBURG, OH
44087



150 BRUNEL ROAD
MISSISSAUGA, ON
L4Z 1T5



ISO 9001
REGISTERED

adaptall is a registered trademark. The use of the trademark is not permitted without the prior written consent of Adaptall Inc. Reproduction of this literature in whole or in part is not permitted without the prior written consent of Adaptall Inc.

© 2015 Adaptall Inc. PRINTED IN CANADA